

## Affordable Print Registration Wrapper

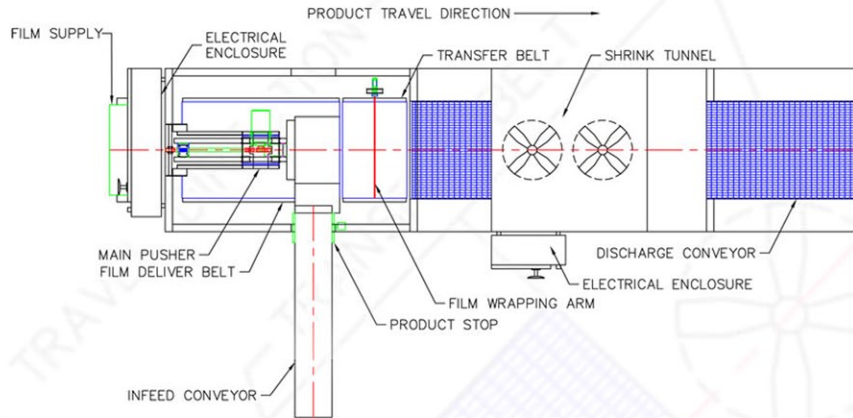


- **Low cost print-registered shrink wrapper**  
*Competitively priced shrink bundler  
Runs clear, random printed and print registered film  
Up to 20 bundles/min.*
- **Various modular infeed options**  
*Side infeed, inline infeed, and inline flood infeed available*
- **Intermittent motion wrapping assembly**  
*Elliptical motion for variable product width & height  
Uses a single roll of film to wrap products with a lap seal  
No seal bar*
- **Easy film threading**  
*Motorized, self-regulating dancer bar feeds the  
floor mounted, powered film cradle*
- **Triple wall, double insulated shrink tunnel**  
*Thermostat controlled for consistent temperatures  
Conserves heat and reduces energy consumption*
- **Stainless steel mesh tunnel conveyor**  
*Cools naturally and prevents film from sticking*
- **Modular collation devices**  
*Multiple infeed options for various pack configurations  
Infeed modules offer quick changeover - Less than 10 minutes*

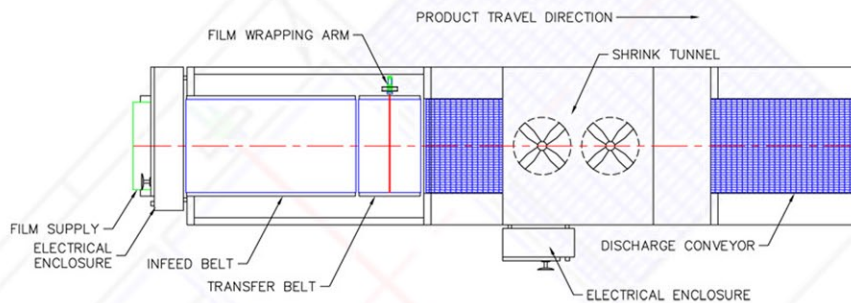


# TANGO

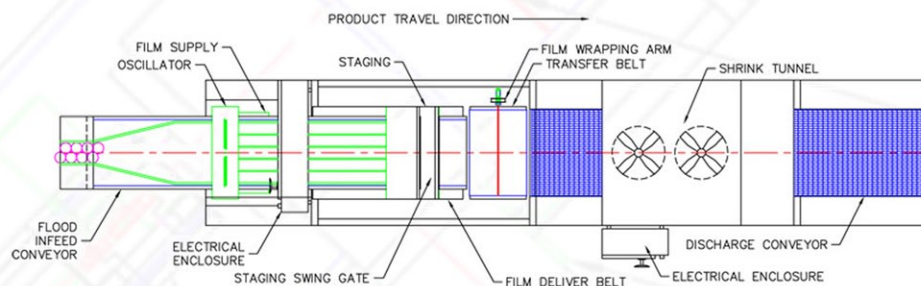
## Side Infeed



## Inline Infeed



## Flood Infeed



- Run printed or clear film down to 1 mil!
- Available for 24" and 32" film widths
- Heavy 11-gauge stainless steel frame
- Single unit construction includes infeed, wrapping section, and shrink tunnel
- Nema 12 control panel
- 220, 380, 415, 440 or 575 volts - 3 phase, 50 or 60 hz.
- Pneumatic controls require 65-70 p.s.i. (5 bars) @ 8-10 c.f.m.

### Corporate Headquarters

3301 Gateway Centre Blvd. | Pinellas Park, FL 33782

Tel: 727.578.5000 | Fax: 727.578.1300

[www.polypack.com](http://www.polypack.com) | Email: [info@polypack.com](mailto:info@polypack.com)



**poly** innovation  
**pack** in packaging  
equipment