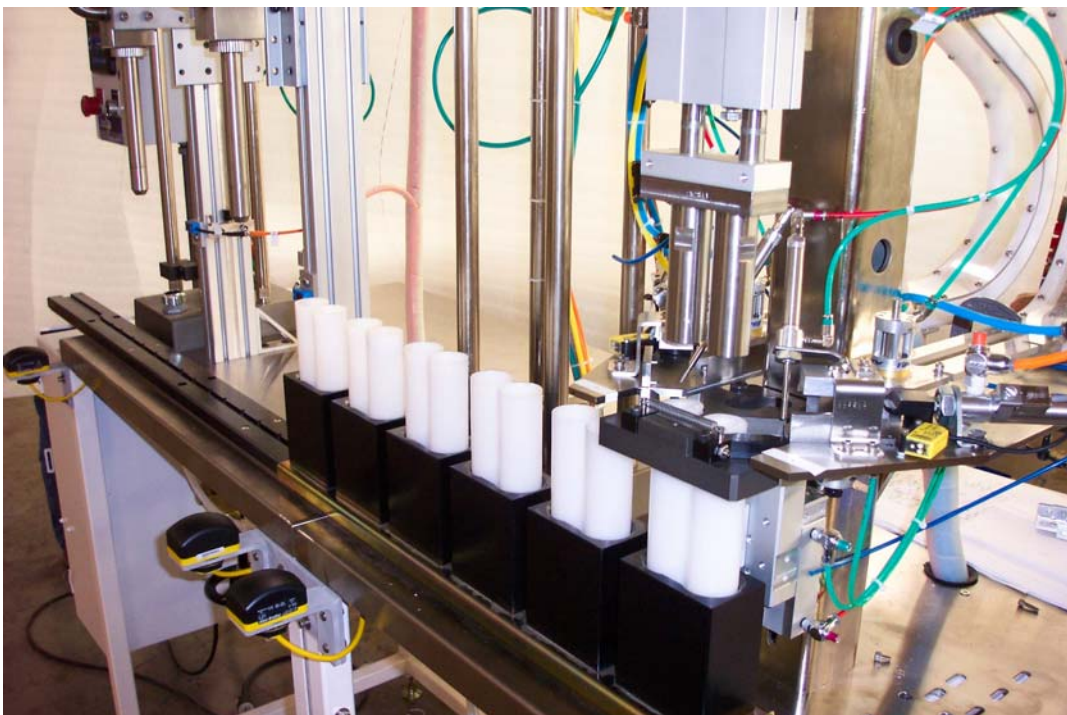




ProSys

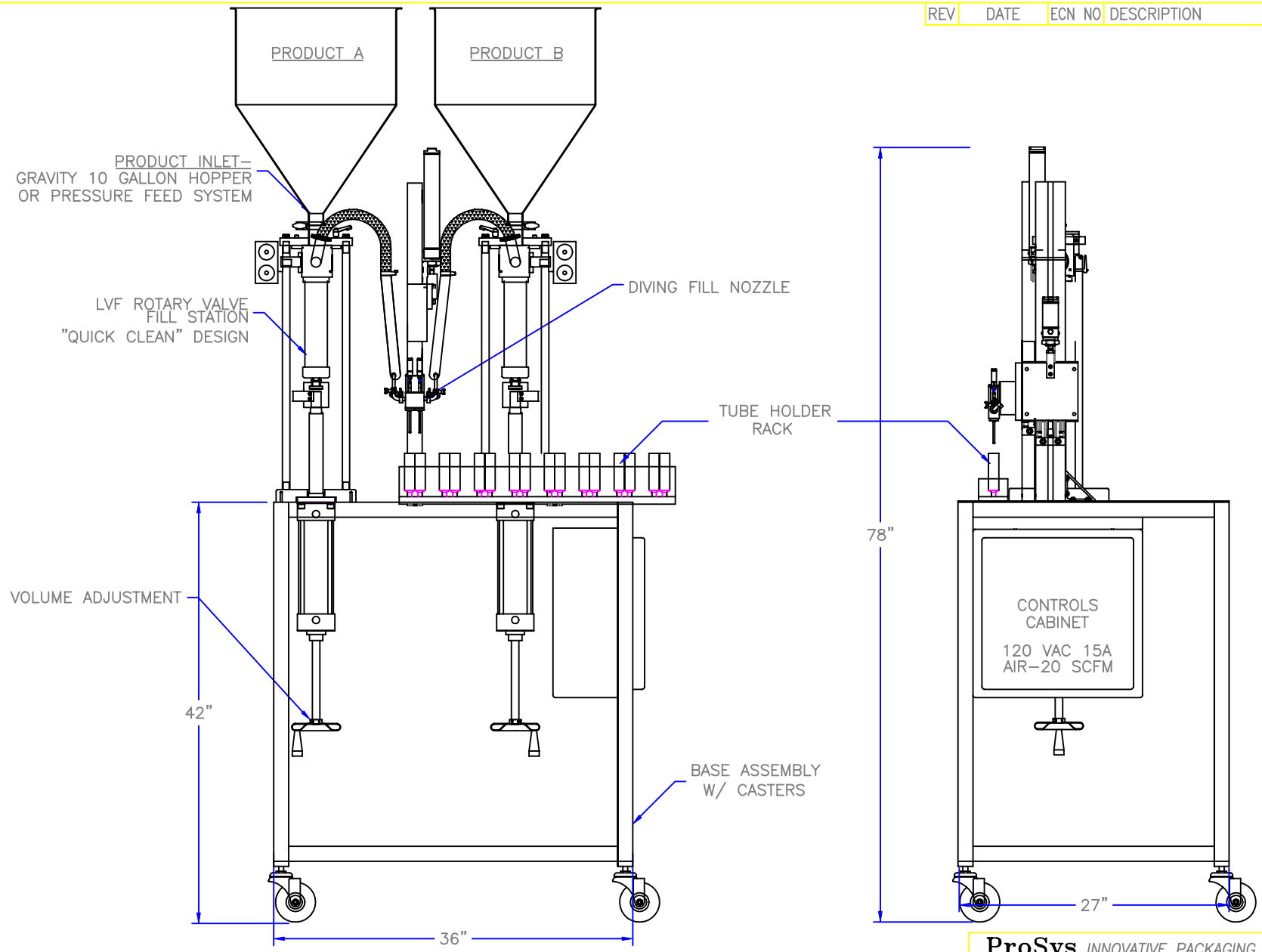
INNOVATIVE PACKAGING EQUIPMENT

ProSys MT 22 dual barrel syringe system



422 East 17th Street * Webb City, Missouri * 64870 * (417) 673-5551 * 800-231-3455 * Fax: (417) 673-7971

www.prosysfill.com



ProSys INNOVATIVE PACKAGING EQUIPMENT
 DIVISION OF REAGENT CHEMICAL
 124 RIVER ROAD
 MIDDLESEX, N.J. 08846
 PHONE: (908) 469-0100
 FAX: (908) 469-9692

DESCRIPTION
**PROSYS MODEL LVF-MT22
 MANUAL DOUBLE BARREL
 CARTRIDGE/SYRINGE FILLER**

SCALE	NA	SHEET	1	OF	1
DRAWING NUMBER	M	REV	MT22	A	

TOLERANCES UNLESS OTHERWISE SPECIFIED: .XXX ALLOW ±.005 .XX ALLOW ±.010 ON ANGLES ALLOW ±1/2° FOR FRACTIONS ALLOW ±1/64 SURFACE FINISH TO BE 125 BREAK ALL SHARP EDGES	DRAWN	DWS	CHECKED	APPROVED
	MATERIAL			
	SURFACE TREATMENT			
	PART REF			
	ASSY REF			